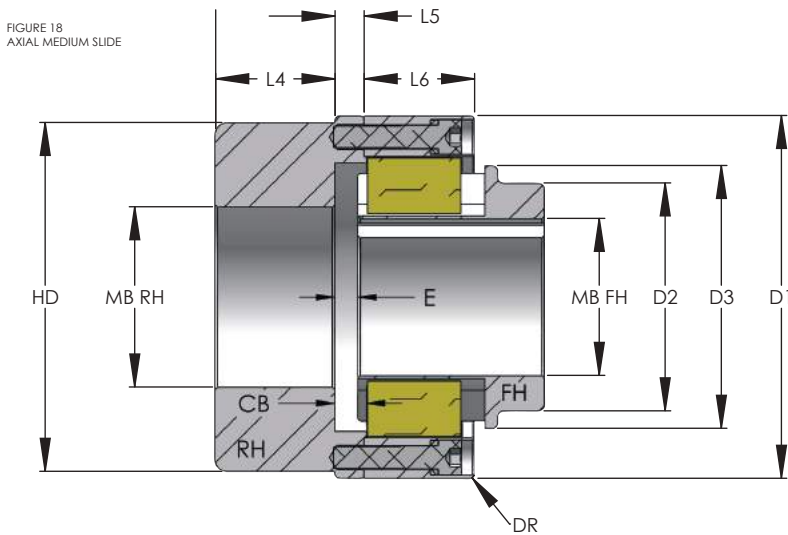
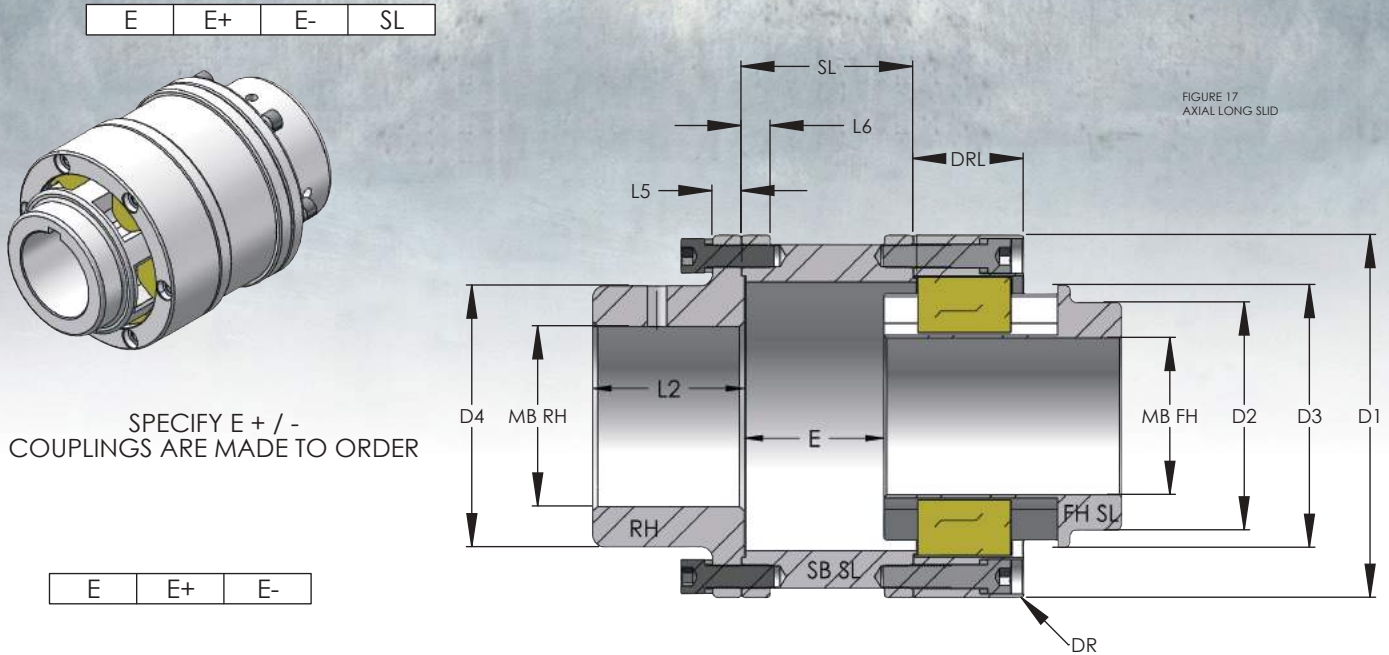


AXIAL SLIDE COUPLING DIMENSIONS

Patent #7,244,186



SIZE>	T-0	T-1	T-2	T-3	T-4	T-5	T-6	T-7	T-8	T-9	T-10	T-11	T-12
G	2.850	3.600	4.600	5.100	6.680	8.180	10.180	12.200	14.200	16.200	18.200	20.250	22.275
D1	2.950	3.960	4.800	6.290	7.800	9.765	11.900	13.600	14.625	18.020	19.950	23.250	28.500
MBFH	1.375	1.750	2.250	2.500	3.375	4.500	5.500	6.250	7.125	9.000	10.000	11.250	12.000
MBRH	1.625	2.250	2.500	3.375	3.875	5.250	6.250	7.250	7.625	10.375	12.000	12.500	15.000
MBHD	1.875	2.750	2.875	4.500	5.250	6.625	8.250	9.250	10.625	13.250	15.375	17.500	20.000
RSB	.300	.500	.600	.750	.950	1.000	1.500	1.750	2.250	2.900	3.700	3.900	3.900
D2	1.995	2.585	3.200	4.000	4.900	6.500	7.875	9.250	10.167	12.775	14.625	16.000	18.500
D3	2.050	2.820	3.500	4.500	5.650	7.350	8.515	10.065	10.435	13.780	15.710	17.875	20.988
D4	2.470	3.200	3.625	5.000	5.625	7.500	8.875	10.750	11.375	13.875	15.800	17.500	22.875
HD	2.850	3.840	4.650	6.125	7.500	9.500	11.375	13.250	14.375	17.670	19.700	23.000	27.000
L2	1.375	1.750	2.250	2.500	3.250	4.000	5.000	6.000	7.000	8.000	9.000	10.000	11.000
L3	.650	.705	1.200	1.125	1.115	1.325	2.475	2.485	3.250	3.875	4.140	4.250	4.900
L4	.980	1.295	1.730	1.825	2.565	3.065	3.940	4.925	5.690	6.440	6.875	7.900	8.440
L5	.375	.4375	.500	.625	.625	.875	1.000	1.125	1.250	1.500	2.000	2.000	2.500
L6	.835	1.165	1.165	1.500	2.375	2.875	2.715	3.795	3.900	4.385	5.185	6.100	6.375

ATR SALES INC. reserves the right to change design without notice. The dimensions and weights listed are approximate and sufficiently accurate for most users. The purchaser should use certified prints for construction where exact dimensions and weights are critical. Additional information will be provided if extreme accuracy is required.