

# SPLIT TAPER BUSHING COUPLING DIMENSIONS

## PATENT # 7,244,186

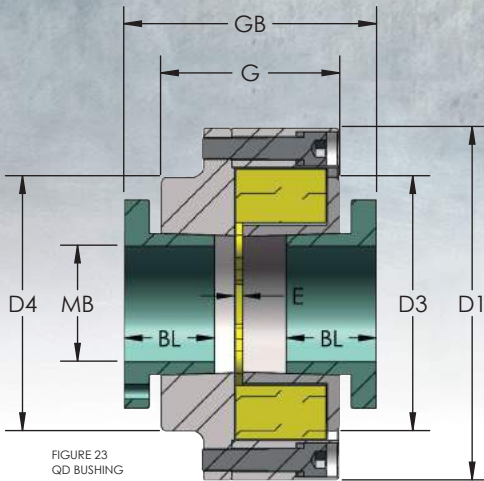


FIGURE 23  
QD BUSHING

### QD BUSHING

SIZE	QD	MB	GB	G	D1	D3	D4	E	BL
T-0	JA	1.250	2.550	1.550	2.950	2.050	2.470	.100	1.062
T-1	SH	1.625	3.850	2.725	3.960	2.820	3.200	.100	1.312
T-2	SD	2.000	3.975	2.725	4.800	3.500	3.625	.100	1.812
T-3	SK	2.500	5.540	4.165	6.290	4.500	5.000	.100	1.937
T-4	SF	2.875	5.250	3.830	7.800	5.650	5.625	.180	2.062
T-5	F	4.000	7.805	5.805	9.765	7.350	7.500	.180	3.625
T-6	J	4.500	9.555	7.180	11.900	8.515	8.875	.180	4.500
T-7	M	5.500	14.075	11.200	13.600	10.065	10.750	.200	6.750
T-8	N	6.000	16.700	13.450	14.625	10.435	11.375	.200	8.125
T-9	P	7.000	19.825	15.825	18.020	13.780	13.875	.200	9.375
T-10	W	8.000	23.575	19.075	19.950	15.710	16.500	.200	11.37

NOTE: RING HUBS MAY ACCOMMODATE +1 SIZE LARGER BUSHING THAN FLEX HUB

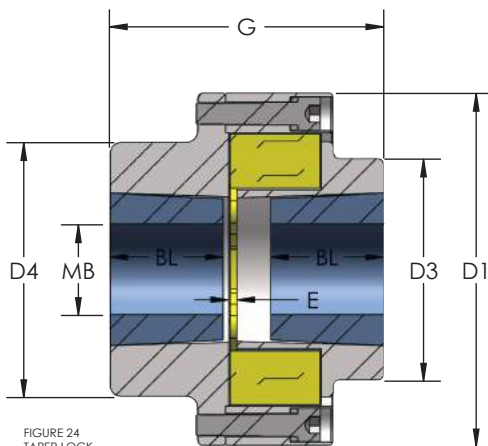


FIGURE 24  
TAPER LOCK  
EXTERNAL BUSHING

### TAPER LOCK BUSHING EXTERNAL

SIZE	TL-EXT	MB	G	D1	D3	D4	E	BL
T-0	1008	1.000	2.475	2.950	2.050	2.470	.100	.875
T-1	1108	1.125	2.850	3.960	2.820	3.200	.100	.875
T-2	1615	1.687	3.975	4.800	3.500	3.625	.100	1.500
T-3	2012	2.125	3.975	6.290	4.500	5.000	.100	1.250
T-4	2525	2.500	6.055	7.800	5.650	5.625	.180	2.500
T-5	3020	3.250	6.305	9.765	7.350	7.500	.180	2.000
T-6	4040	4.437	9.305	11.900	8.515	8.875	.180	4.000
T-7	5050	5.000	11.325	13.600	10.065	10.750	.200	5.000
T-8	5050	6.000	12.325	14.625	10.435	11.375	.200	5.000
T-9	7060	7.000	14.325	18.020	13.780	13.875	.200	6.000
T-10	8065	8.000	15.950	19.950	15.710	16.500	.200	6.500

NOTE: RING HUBS MAY ACCOMMODATE +1 SIZE LARGER BUSHING THAN FLEX HUB

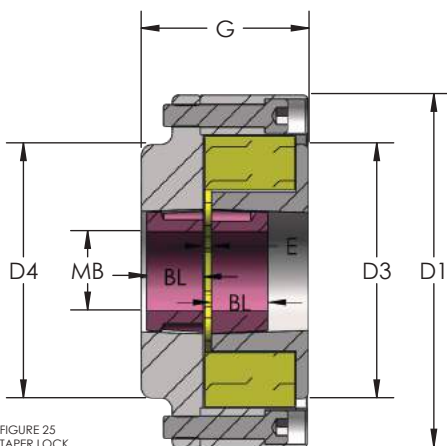


FIGURE 25  
TAPER LOCK  
INTERNAL BUSHING

### TAPER LOCK BUSHING INTERNAL

SIZE	TL-INT	MB	G	D1	D3	D4	E	BL
T-1	1108	1.125	2.140	3.960	2.820	3.200	.100	.875
T-2	1310	1.437	2.300	4.800	3.500	3.625	.100	1.000
T-3	1610	1.687	2.625	6.290	4.500	5.000	.100	1.000
T-4	2012	2.125	3.705	7.800	5.650	5.625	.180	1.250
T-5	3020	3.250	5.030	9.765	7.350	7.500	.180	2.000
T-6	3535	3.937	7.430	11.900	8.515	8.875	.180	3.500
T-7	4040	4.437	8.450	13.600	10.065	10.750	.200	4.000
T-8	4545	4.937	9.450	14.625	10.435	11.375	.200	4.500
T-9	5050	5.000	10.450	18.020	13.780	13.875	.200	5.000
T-10	6050	6.000	10.450	19.950	15.710	16.500	.200	5.000

NOTE: RING HUBS MAY ACCOMMODATE +1 SIZE LARGER BUSHING THAN FLEX HUB

ATR SALES INC. reserves the right to change design without notice. The dimensions and weights listed are approximate and sufficiently accurate for most users. The purchaser should use certified prints for construction where exact dimensions and weights are critical. Additional information will be provided if extreme accuracy is required.