

For Sleeve Bearing Motors, And All Other Applications Requiring Axial End-Float Restrictions

(Meets API 610 Standards Maximum Coupling End Float Requirements)

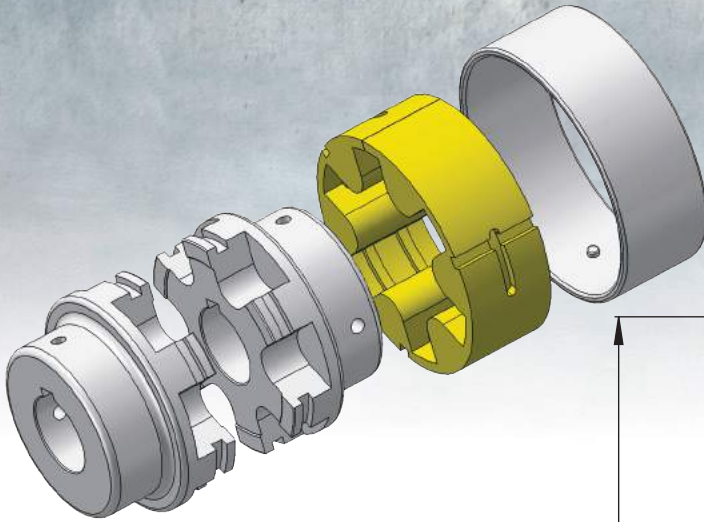
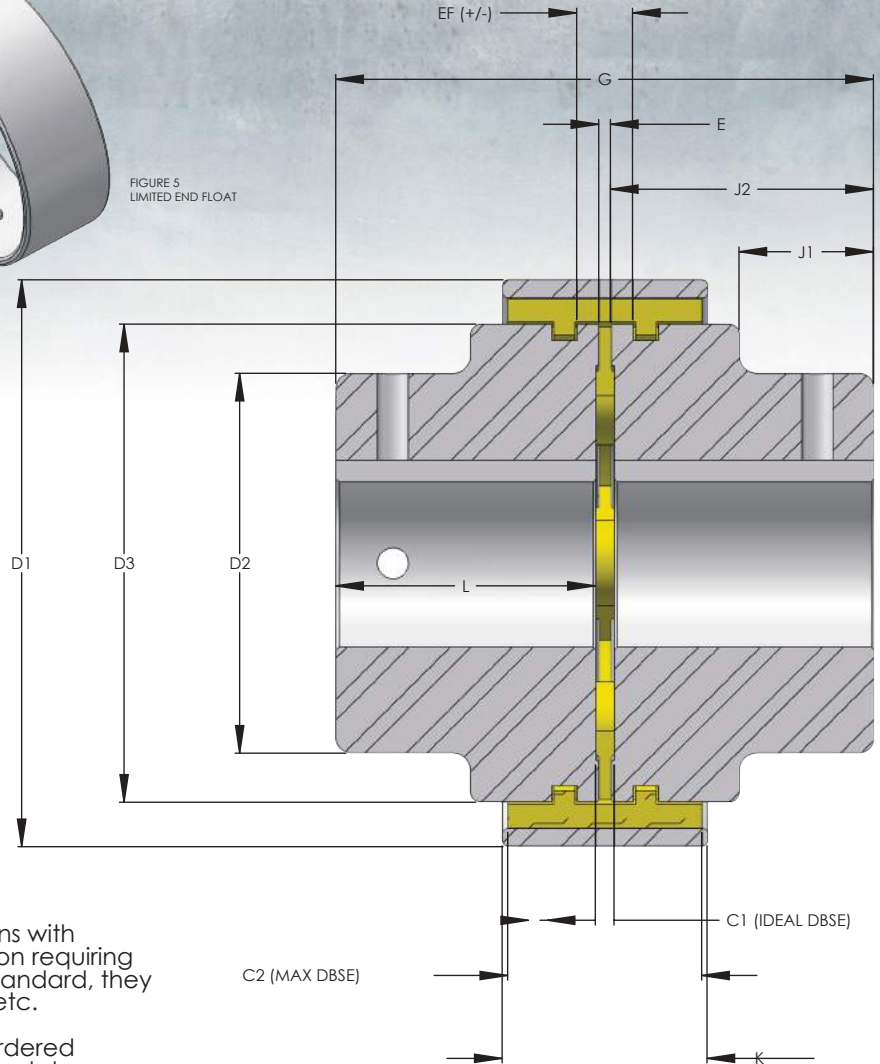


FIGURE 5
 LIMITED END FLOAT



***Available in A-Series**
Consult factory for sizes

Use Limited End Float Hubs and Inserts for applications with Sleeve Bearing Motors, ID & FD fans or any application requiring Limited Axial End Float. All Other components are standard, they can be used in Non-Spacer, Spacer, and Flywheel, etc.

Note: Limited End Float Couplings can be special ordered for End Float +/- increase or decrease and accommodate greater angular misalignment.

DIMENSIONS - ATRA-FLEX® LEF SERIES

SIZE	M1	M1H	M2	M3	M4	M5	M6	M7	M8	M9	M10	M11	M12	M13
EXTERNAL D1	3.860	4.345	4.820	5.750	7.600	9.700	11.800	13.600	15.460	17.860	19.875	23.030	27.600	34.620
TOTAL LENGTH GI	3.575	3.950	4.575	5.075	6.700	9.200	11.200	12.200	14.700	18.200	20.200	22.250	23.250	22.300
MAXIMUM BORE d1	1.750	1.9375	2.250	2.500	3.375	4.500	5.500	6.000	7.250	9.000	10.000	11.000	13.250	16.000
PILOT BORE	.500	.609	.609	.750	.940	1.000	1.500	1.750	2.450	2.900	3.750	4.000	4.000	7.000
L	1.700	1.888	2.200	2.450	3.200	4.440	5.440	5.940	7.190	8.940	9.940	10.940	11.450	10.900
D2	2.875	3.100	3.500	4.000	5.500	6.500	8.000	9.000	10.500	12.000	14.000	15.000	18.500	24.000
D3	3.150	3.470	3.900	4.900	6.400	8.150	9.930	11.900	13.940	15.900	17.900	19.650	23.900	30.000
J1	.850	1.038	1.250	1.125	1.350	2.300	3.000	2.500	2.750	4.375	5.500	5.250	5.500	3.000
J2	1.750	1.938	2.250	2.500	3.250	4.500	5.500	6.000	7.250	9.000	10.000	11.000	11.500	11.000
K	1.570	1.575	1.600	2.150	3.100	3.500	3.900	5.180	6.280	6.530	6.650	7.700	9.200	12.340
E	.075	.075	.075	.075	.200	.200	.200	.200	.200	.200	.250	.250	.250	.300
AXIAL END FLOAT +/-	+/- .025			+/- .040	+/- .070	+/- .100	+/- .100	+/- .100	+/- .060	+/- .100			+/- .100	
APPROX WT (LBS)	4	5	10	19	36	72	125	190	320	475	964	1050	1200	1500