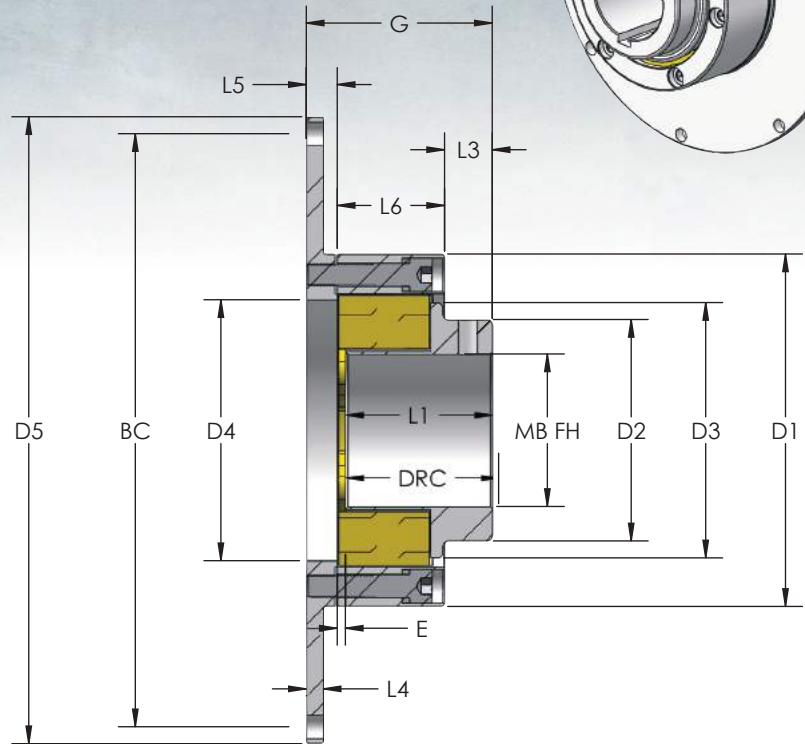
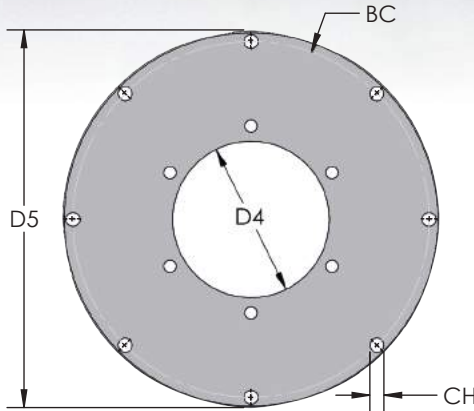


FIGURE 19  
 FLYWHEEL



SIZE>	T-0	T-1	T-2	T-3	T-4	T-5	T-6	T-7	T-8	T-9	T-10	T-11	T-12
G	1.860	2.300	2.865	3.250	4.115	5.115	6.230	7.275	8.500	9.760	11.325	12.325	13.835
D1	2.950	3.960	4.800	6.290	7.800	9.765	11.900	13.600	14.625	18.020	19.950	23.250	28.500
MBFH	1.375	1.750	2.250	2.500	3.375	4.500	5.500	6.250	7.125	9.000	10.000	11.250	12.000
RSB	.300	.500	.600	.750	.950	1.000	1.500	1.750	2.250	2.900	3.700	3.900	3.900
E	.100	.100	.100	.100	.180	.180	.180	.200	.200	.200	.200	.250	.275
D2	1.995	2.585	3.200	4.000	4.900	6.500	7.875	9.250	10.167	12.775	14.625	16.000	18.500
D3	2.050	2.820	3.500	4.500	5.650	7.350	8.515	10.065	10.435	13.780	15.710	17.875	20.988
D4	2.470	2.920	3.600	4.625	5.775	7.475	8.640	10.190	10.560	13.905	15.835	18.000	21.115
L1	1.375	1.750	2.250	2.500	3.250	4.000	5.000	6.000	7.000	8.000	9.000	10.000	11.000
L3	.650	.705	1.200	1.125	1.115	1.325	2.475	2.485	3.250	3.875	4.140	4.250	4.900
L5	.375	.4375	.500	.625	.625	.875	1.000	1.125	1.250	1.500	2.000	2.000	2.500
L6	.835	1.165	1.165	1.500	2.375	2.875	2.715	3.795	3.900	4.385	5.185	6.100	6.375
S1	1.000	1.350	1.438	1.815	2.575	3.125	3.250	4.250	4.500	5.125	6.000	7.000	7.250

FLYWHEEL DIMENSIONS FOR STANDARD CLUTCH DIAMETERS											
SAE	6.5	7.5	8	10	11.5	14	16	18	21	24	
D5	8.500	9.500	10.375	12.375	13.875	18.375	20.375	22.500	26.500	28.875	
BC	7.875	8.750	9.625	11.625	13.125	17.250	19.250	21.375	25.250	27.250	
L4	.3125	.3125	.375	.375	.375	.375	.625	.750	.750	.750	
CH	.3281	.3281	.3906	.3906	.3906	.5156	.5156	.6406	.6406	.7656	
CHX	6	8	6	8	8	8	8	6	12	12	

**NOTE: CUSTOM FLYWHEELS AVAILABLE TO FIT MOST APPLICATIONS. STANDARD SPACER BODIES CAN BE ADDED. ALSO AVAILABLE AS LIMITED END FLOAT OR SLIDING.**

ATR SALES INC. reserves the right to change design without notice. The dimensions and weights listed are approximate and sufficiently accurate for most users. The purchaser should use certified prints for construction where exact dimensions and weights are critical. Additional information will be provided if extreme accuracy is required.