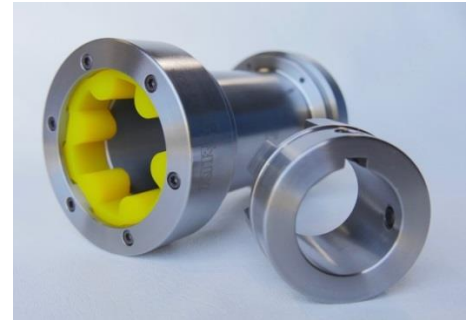
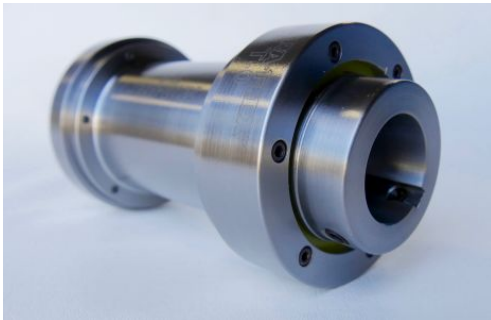




Elastomeric Flexible Couplings designed to meet API 610 Standards

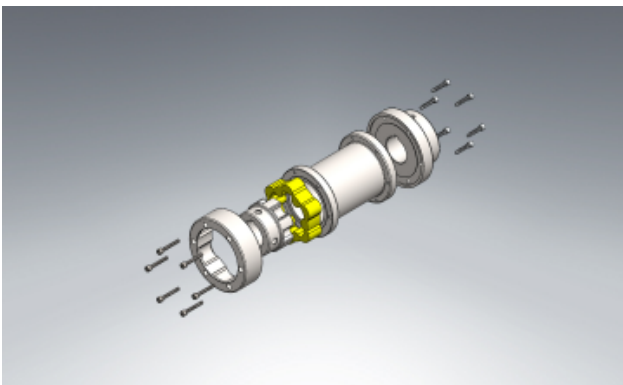
ATRA-FLEX® has been providing engineered coupling solutions for over 36 years.

New alternative to achieve safe, reliable and efficient results with our T-FLEX® API 610 compliant couplings. Meets API 610 standards with the additional benefits of increased misalignment capabilities, less reactionary loads and more dampening than disc style couplings.



- This non-lubricated coupling accommodates for misalignment without loss of performance. The ease of high quality polyurethane insert replacement significantly reduces maintenance cost and minimal downtime while safeguarding your employees and equipment. This coupling is suitable for moderate to high speed operation on a wide range of general purpose motors and turbine driven equipment.

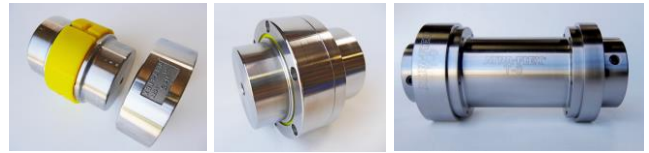
- ANTI-FLY Feature; Piloted flange and drive ring retains spacer in the unlikely event of an insert failure.
- Easy to fit and replace; spacer can be installed and removed without moving shaft hubs or equipment.
- Interference fit hubs meet AGMA class 9 balance.
- Dynamic balancing to G 2.5 available for higher speed applications.
- Puller holes incorporated into all interference fit hubs.
- Low imposed forces on machinery reduces vibration and maximizes bearing life.



Manufacturing couplings is all we do. Our customer service and delivery times are unmatched.

Unscheduled downtime and equipment failures cause increased operating cost and loss of production. When 4-6 weeks or more wait time is unacceptable, customers have turned to ATRA-FLEX. Our couplings are designed for maximum performance and we have had a strong reputation for providing effective solutions and exceeding our customers expectations for over 36 years.

- Patented T-Flex® absorbs extreme torsional shock and vibration providing more dampening than a disc steel flexible element.
- Ease of replacing inserts takes minutes & no lubrication which saves you maintenance dollars and overall costs.
- High quality polyurethane inserts can accommodate up to 350°F and are extremely resistant to most chemicals.



DESIGN ADVANTAGES

- Drop in spacer design. Standard spacer lengths in stock or can be ordered for any custom length.
- Higher horsepower in a smaller package. The compact size to torque ratio with generous bore capacity allows proper sizing.
- “Replace in Place” design on replacement inserts. No need to move driver or driven equipment, which saves you on downtime expenses.
- Reduce inventory and standardize with multiple option polyurethane inserts. No need to replace hubs. No metal to metal contact on hubs.
- Increase bearing life with low generated forces on machinery.
- Excellent solution for torsional shock, end float and vibration problems.
- Handles Axial, Radial and Parallel Misalignment.
- Coupling Styles Available: Non- Spacer, Spacer, Limited end float, Flywheel, Drop-out spacer, Floating shafts, Brake wheel, Brake disc, Bushings and shrink Disc.

We are here to help. Bring us your custom design requests.

Need a Solution?



At ATR Sales Inc. our manufacturing utilizes our state-of-the-art CNC equipment. In addition to our standard couplings we offer a full service machine shop to facilitate your needs. From your print or CAD drawing we can create the perfect coupling for your application. We strive to meet your needs and our timing from drawings to expedite exceeds the competition.

Discover the ATRA-FLEX Difference with support and guidance from our experienced team. Let us help support your operations.

Unscheduled downtime and equipment failures cause increased operating costs. When 4-6 weeks or more wait time is unacceptable, customers have turned to ATRA-FLEX®. Our couplings are designed for maximum performance and we have a strong reputation for providing effective solutions and superior customer service.

- Shaft sizes up to 20 inches
- Torque Capacity up to 1,570,000 (in-lb)
- Speed Limits up to 18,000 rpm
- High quality polyurethane inserts options available; standard, high torque, high dampening and high heat up to 350°F
- All parts are machined from solid Carbon steel rounds.
- Stainless Steel available in grades 303,304, 316
- Melonite Process Available = Cost Savings \$\$ alternative to Stainless Steel.



Corrosion resistant. This process increases steel hardness up to a 57.6 RC. The heat treatment creates a black finish that penetrates the carbon steel and will not scratch or wear off.



ATR Sales Inc. is the sole manufacturer of ATRA-FLEX® Flexible Couplings

Corporate Headquarters 110 E. Garry Ave. Santa Ana, CA 92707 800-443-6613 www.atra-flex.com