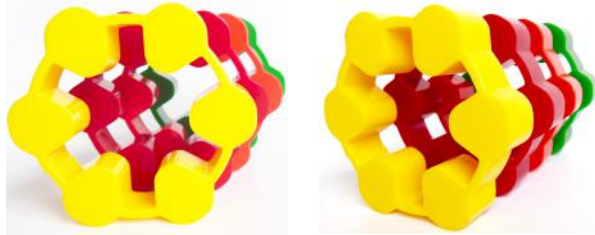


Large Enough to Handle Your Toughest Applications, Small Enough to Care.

## Introducing the ATRA-FLEX HD Insert for T-FLEX® Series



Patent #9,683,609

ATRA-FLEX inserts are highly resistant to chemicals\* Provide excellent dampening capabilities for axial, parallel and radial misalignment.\*No need to move driver or driven equipment\* Less downtime with ease of installation and replacement time\*

Continuing to provide flexible coupling solutions for your rotational equipment with our latest insert addition.

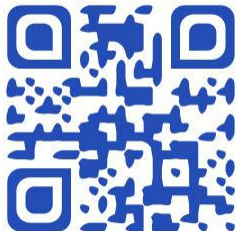
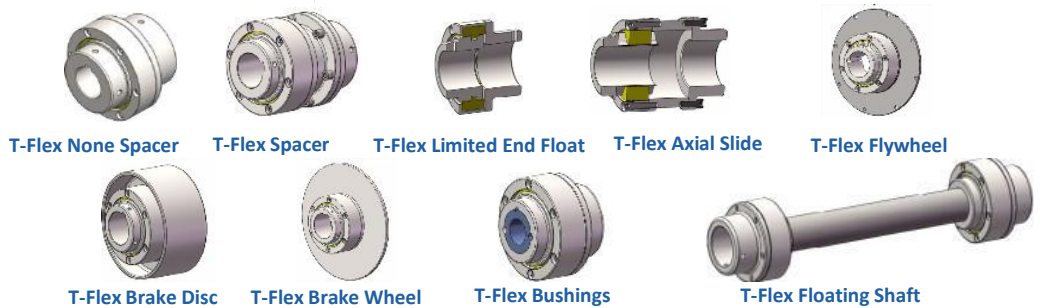
*Atra-Flex Continues to innovate and provide cost savings with our latest insert offering. We have designed an alternative insert for the T-Flex series using our same high quality polyurethane that will allow certain applications to find that perfect fit by increasing your torque rating up to 30 % before bumping up into the next size coupling or larger OD. This new design will provide customers the opportunity to save on initial coupling investment as well as long term insert replacement. Currently the HD insert is available from a T3 to a T8 and is applications specific.*

**\*\*Please note that this insert is application specific. Please contact ATRA-FLEX technical support to find the perfect fit for your particular application. \*\***

**Call 800-443-6613 or speak to an expert @ [www.atra-flex.com](http://www.atra-flex.com)**



Scan with QR Reader or use camera for T Flex sizing chart



Description	Color	Applications	Shore Hardness	Minimum Temperature °F	Maximum Temperature °F
Standard	Yellow	General Purpose	60D	-60	250
High Temperature	Red	High Temperature	90A	20	350
High Torque	Orange	High Torque/Low Speed	70D	-20	250
Extra High Dampen	Green	High Vibratory Torque/Shock Loads	90A	-60	250

With our wide variety of couplings styles and inserts available, quick delivery, superior customer service and hands on technical support, customers choose to standardize with ATRA-FLEX Flexible Couplings.